

DEPARTMENT OF PUBLIC UTILITIES

Orangeburg, South Carolina

PLUMBING RULES AND REGULATIONS

TABLE OF CONTENTS

<u>Section</u>		<u>Page</u>
1.0	General	1
	1.1 Definitions.....	1
2.0	Water Distribution System.....	3
	2.1 Water Taps.....	3
	2.2 Water Service Lines	3
3.0	Wastewater Collection System.....	5
	3.1 Sewer Taps	5
	3.2 Sewer Service Lines.....	5

ATTACHMENTS

Regulations For New Water Service
Checklist For New Water Service

Regulations For New Sewer Service
Checklist For New Sewer Service

DEPARTMENT OF PUBLIC UTILITIES

Orangeburg, South Carolina

PLUMBING RULES AND REGULATIONS

1.0 GENERAL

These rules and regulations are intended to supplement certain portions of the latest edition of the International Plumbing Code and to establish procedures for tapping the Water distribution and Wastewater collection systems. Where they conflict with the International Plumbing Code, these rules and regulations will prevail. They consist of printed rules, regulations and drawings. Both printed matter and drawings are of equal importance; one supplements the other.

1.1 Definitions

Authorized Employee	Employee of the Department of Public Utilities authorized by the Manager to perform a specific duty.
Authorized Representative	Any person in the employ of a contractor authorized by him in writing to the Department to act as his agent.
Collection System	A pipeline system designed to receive wastewater or treated effluent directly from individual sources.
Contractor	Persons, firms or corporations properly licensed and bonded by the City of Orangeburg and/or approved by the Department of Public Utilities.
Department	The Department of Public Utilities, City of Orangeburg
Distribution System	A system consisting of a network of pipes, valves, fire hydrants, service lines, meters, pumping stations, and tanks, which delivers water to homes, businesses and industries for drinking and other uses.
I. P. C.	International Plumbing Code as published by International Code Council, Incorporated (latest edition).

Service Connection

An individual gravity sewer line, typically less than 1,000 linear feet, or an individual pump station and force main, serving only one building or one residential lot with strictly domestic wastewater connecting to a gravity sewer system. A Service Connection does **not** include:

1. Individual connections, where at the time of connection, design flow contribution shall generate flows greater than 50,000 gallons per day.
2. A gravity sewer line or pump station and force main serving more than one building or more than one residential lot.
3. Sewer lines typically in excess of 1,000 linear feet or if the sewer lines leave the property or if the sewer lines have the reasonable ability to serve any additional projects in the future.

2.0 WATER DISTRIBUTION SYSTEM

2.1 Water Taps

All 3/4" and 1" water services are equipped with a check valve which prevents heated water or any other water from the customer's plumbing system from backflowing into the public water system. Caution is advised to follow the manufacturer's procedures for hot water heater pressure and temperature relief valves, or a combination thereof, since pressure relief by expansion will not be possible. The pressure and temperature relief valves on hot water heaters ensure that excessive pressure is released from water heating unit if it malfunctions. Most manufacturers recommend that relief valves be inspected by a licensed plumber once every year.

The Department will make all taps on its distribution system. The Department will sell no tap until such a tap has been authorized by personnel in the Water Division. A contractor or customer who may wish to buy a tap should contact the Water Division and inquire about availability of water service. Authorized personnel in the Water Division will check on the availability of water service at a given location, and advise the Customer Service Section, who will then sell the tap. After the tap has been paid for and a work order issued, the contractor or plumber (licensed, if within the City Limits) will install the service line as shown on the attached drawing. When the contractor or plumber completes the installation, he should notify the Water Division that the service is ready to be connected.

Water taps affecting fire services will not be made until the Department receives written approval of service from the fire chief responsible for the service area. All two-inch and larger water taps will require special details; arrangements must be made with the Water Division prior to beginning construction.

2.2 Water Service Lines

1. Water service lines must be installed to a point along road frontage of a lot where city water is available. A minimum of 10' of service line must be installed.
2. A brass female threaded gate valve must be installed on the end of the service line. 3/4" and 1" gate valves will be provided by the Department. Gate valves for water services greater than 1" are to be supplied by the customer. The valve must be the same size as the purchased tap.
3. Where necessary, service lines larger than the tap size may be used. All reducing couplings must be on the customer's side of the gate valve.
4. A minimum of 10' between any driveway and the service line must be maintained.

5. If plastic pipe is used for service line, it must be a minimum of 160-200 pounds/square inch.
6. When more than one service line is required in the same identical location, gate valves must be 18" apart horizontally and perpendicular to the centerline of the street or highway.
7. The Department shall issue a metal tag to each person purchasing a water tap. A separate tag shall be issued for each tap. Tags for ¾" and 1" services shall be attached to the gate valve handle of each valve by the Department. Tags for services greater than 1" shall be attached to the gate valve handle of each valve by the customer. The Department will not make any tap without a properly attached tag with the information properly recorded.
8. When more than one service line is required in the same location, the plumbing must be completely connected to whichever apartment, mobile home, house, etc. it will serve. The only exception shall be that we will make one tap at each location for construction purposes, which may later be connected to a permanent unit.
9. Some areas of our water distribution system experience higher water pressure than others. Therefore, it is the property owner's responsibility to have the water service line checked for high pressures that may cause damage to pipes and fixtures. The property owner is responsible for ensuring the integrity of the service line or installing a pressure reducing valve to reduce the pressure where required.

3.0 WASTEWATER COLLECTION SYSTEM

Connections to force mains are prohibited. Individual connections to force mains are considered collection systems and construction of such facilities will require a construction permit from the South Carolina Department of Health and Environmental Control. Collection system connections to the Department's force mains are strictly prohibited unless the proposed system coincides with the Department's long range plans for a particular service area and the Department either owns and operates the proposed system or the Department has a wholesale wastewater agreement in place.

3.1 Sewer Taps

The Department will make all taps on its collection system. The Department will sell no tap until such a tap has been authorized by personnel in the Wastewater Division. A contractor or customer who may wish to buy a tap should contact the Wastewater Division and inquire about availability of wastewater service. Authorized personnel in the Wastewater Division will check on the availability of wastewater service at a given location and advise the Customer Service Section, who will then sell the tap. All taps will be sold on a conditional basis until spotting in the field can be accomplished. After the tap has been paid for and a work order issued, the Wastewater Division will coordinate installation of the tap from the sewer main to the property line. The contractor or plumber (licensed, if within the City Limits) will then install the service line as shown on the attached drawing. When the contractor or plumber completes the installation, he should notify the Wastewater Division that the service is ready to be connected.

3.2 Sewer Service Lines

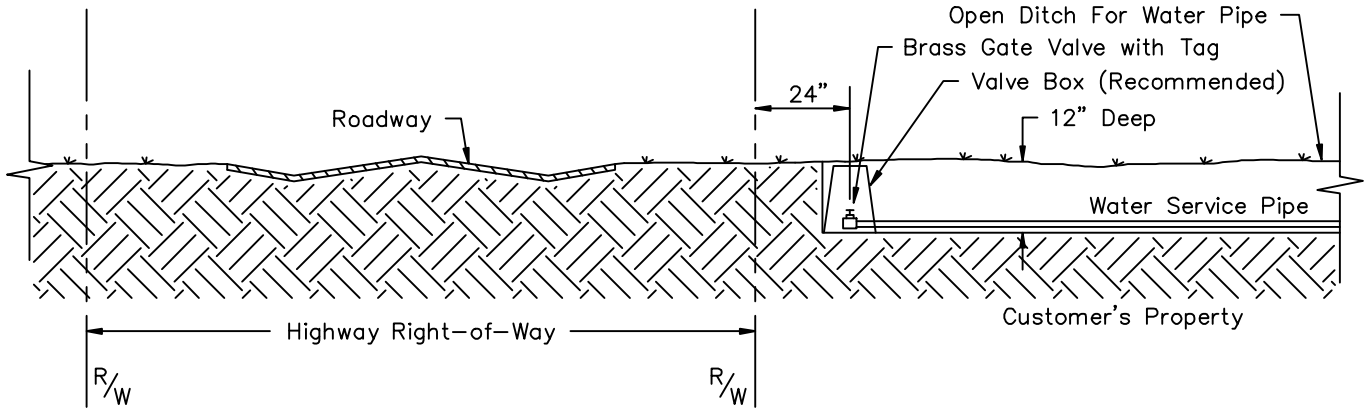
1. All service lines must be laid on a uniform grade with not less than 1/8" fall per foot (1% grade).
2. Clean-outs must be provided as specified in the I.P.C.
3. Service lines must be the same size as the tap purchased and must be brought to a point 12" to 18" from the Department's stub out.
4. The service line must be in approximate vertical and horizontal alignment with the stub-out. A minimum of 10' between any driveway and the service line must be maintained.
5. A property-line clean-out must be installed inside the customer's property line; but not more than 18" from the property line. This clean-out must extend to within 2" of finished grade and be perpendicular to the finished ground. The clean-out shall be made up by using a 45-degree wye, short nipple, a 45-degree bend, sufficient pipe to reach the surface, a clean-out adapter FPT, and a MPT metallic plug. Solvent weld or gasketed pipe may be used. The

street-side end of the in-line 45-degree wye shall be provided with a fitting that is directly adaptable to like-sized ASTM D3034 minimum SDR-35 sewer pipe.

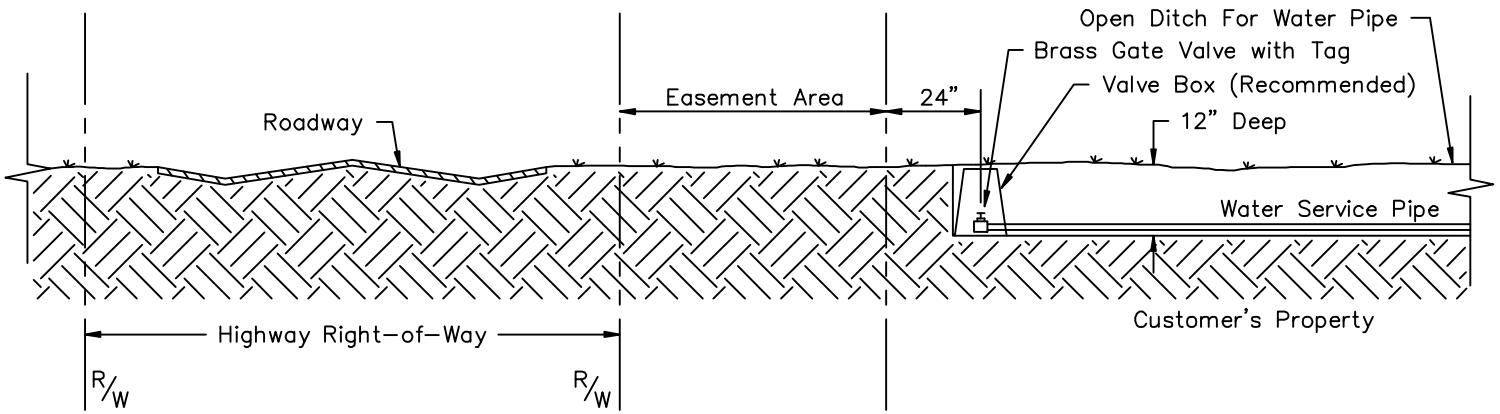
6. The Department will assume no liability for taps made prior to January 1, 1971. Maintenance responsibilities for all taps made before January 1, 1971, shall rest with the property owner or customer. The customer may elect to have a tap made prior to January 1, 1971, replaced by paying the Department a standard tap fee. Once replaced, maintenance responsibilities will be assumed by the Department.
7. The property owner is responsible for ensuring the integrity and accessibility of the property-line clean-out.
8. Because of the inherent infiltration and inflow liability, inactive sewer taps may be capped off or terminated. Sewer taps that meet the requirements of the I.P.C. will be capped off at the property line; a payment of \$250 for the installation and removal of the cap will be due prior to resuming utility service. Sewer taps that do not meet the requirements of the I.P.C. and were installed prior to January 1, 1971, will be terminated; the property owner must pay for a new tap prior to resuming utility service.

ATTACHMENTS

TYPICAL CROSS SECTION



TYPICAL CROSS SECTION INVOLVING EASEMENTS



WATER SERVICE SEQUENCE

1. CUSTOMER OR CONTRACTOR INQUIRES ABOUT AVAILABILITY OF WATER SERVICE.
2. CUSTOMER OR CONTRACTOR PURCHASES TAP.
3. CUSTOMER OR CONTRACTOR CALLS DPU TO HAVE SERVICE SPOTTED.
4. CONTRACTOR INSTALLS PIPE TO POINT OF ATTACHMENT, AND DOES PLUMBING WORK.
5. CONTRACTOR COMPLETES WORK AND NOTIFIES THE WATER DIVISION AT (803)268-4404 THAT SERVICE IS READY FOR CONNECTION.
6. WATER DIVISION DOES INSPECTION TO MAKE SURE WORK IS CORRECT AND COMPLETE.
IF WORK IS NOT COMPLETE, A \$30.00 FEE IS BILLED FOR RE-INSPECTION.
7. DPU MAKES CONNECTION - SERVICE COMMENCES.

DEPARTMENT OF PUBLIC UTILITIES
WATER DIVISION
ORANGEBURG, SOUTH CAROLINA

REGULATIONS FOR
NEW WATER SERVICES

DATE	SCALE	SHEET
11/10/06	NTS	1

CHECKLIST FOR NEW WATER SERVICES

<u>Items to Check</u>	Yes	No
Have you installed at least 10' of pipe, approximately 12" deep?	_____	_____
Is a brass female threaded gate valve installed as per drawing?	_____	_____
Is the valve the same size as the tap you paid for?	_____	_____
Are you at least 10' away from your driveway?	_____	_____
Is the metal tag attached to the gate valve handle?	_____	_____
If you are using plastic pipe, is it 160 to 200 psi?	_____	_____
Have you installed a property valve box? (optional)	_____	_____
Have you notified the Water Division at (803) 268-4404 that your service line is ready for connection?	_____	_____

PLEASE BE ADVISED THAT IF A

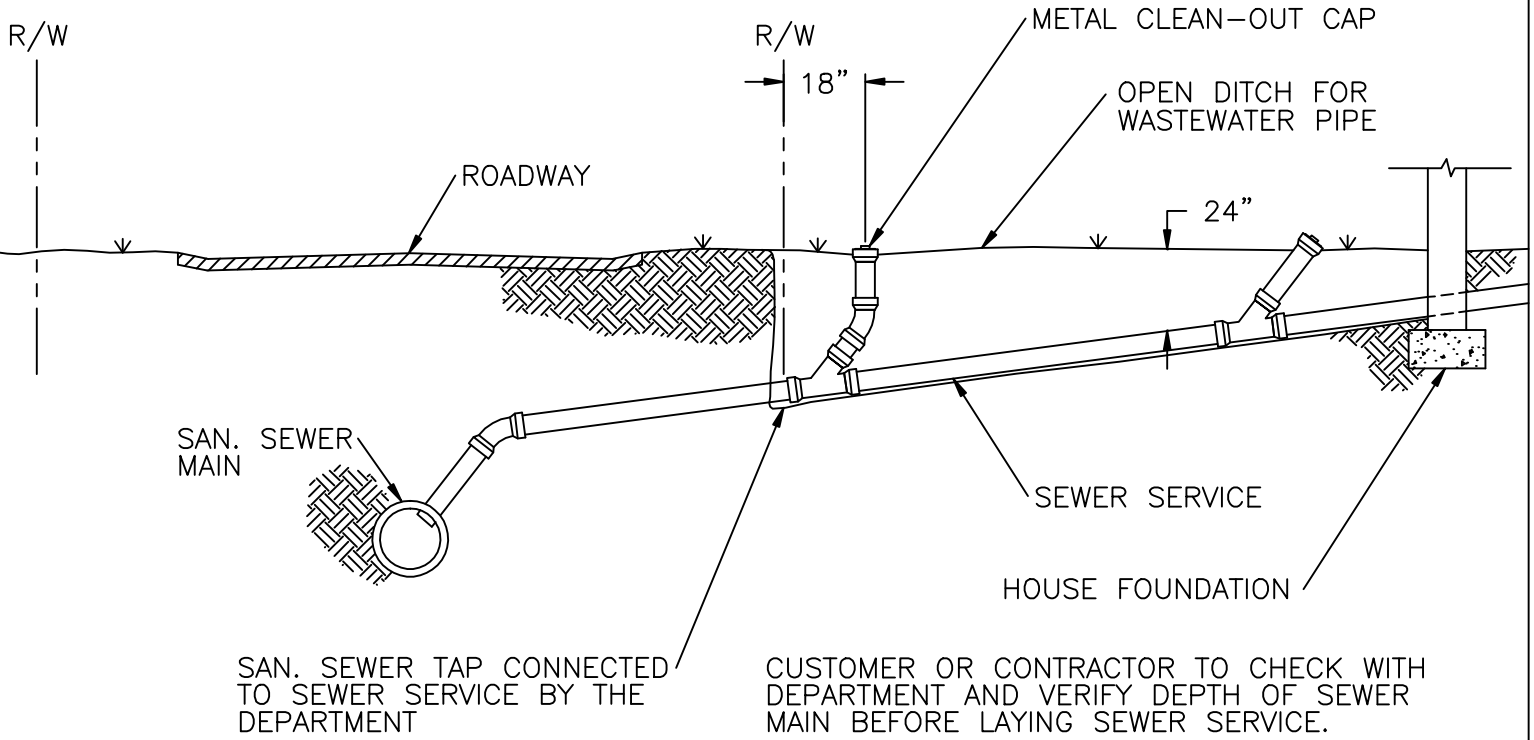
REINSPECTION OF YOUR SERVICE IS NECESSARY

YOU MAY BE SUBJECT TO A REINSPECTION FEE OF \$30.00

If you think that you are ready for the Water Division to come out to your location and make your water tap, please go over this checklist to make sure. Little things like this will enable us to serve you better. Please call (803) 268-4404 and let us know that your service is ready for connection or if you have any questions.

Thank you for your cooperation!

TYPICAL CROSS SECTION



SAN. SEWER TAP CONNECTED TO SEWER SERVICE BY THE DEPARTMENT

CUSTOMER OR CONTRACTOR TO CHECK WITH DEPARTMENT AND VERIFY DEPTH OF SEWER MAIN BEFORE LAYING SEWER SERVICE.

WASTEWATER SERVICE SEQUENCE

1. CUSTOMER OR CONTRACTOR INQUIRES ABOUT THE AVAILABILITY OF WASTEWATER SERVICE.
2. CUSTOMER OR CONTRACTOR PURCHASES TAP.
3. CUSTOMER OR CONTRACTOR CALLS DPU TO HAVE SERVICE SPOTTED.
4. CONTRACTOR INSTALLS PIPE TO POINT OF CONNECTION AND NOTIFIES THE WASTEWATER DIVISION AT (803) 268-4504 THAT SERVICE IS READY FOR CONNECTION
5. IF SEWER TAP IS NOT STUBBED OUT TO PROPERTY LINE, DPU MAKES CONNECTION, SERVICE COMMENCES.
6. IF SEWER TAP IS STUBBED OUT TO PROPERTY LINE, CONTRACTOR MAKES CONNECTION, DPU MAKES INSPECTION OF TIE-IN BEFORE WORK IS BACKFILLED, SERVICE COMMENCES.

DEPARTMENT OF PUBLIC UTILITIES
ORANGEBURG, SOUTH CAROLINA

REGULATIONS FOR
NEW SEWER SERVICE

DATE: 11/09/06	SCALE: N.T.S.	SHEET 1
-------------------	------------------	------------

CHECKLIST FOR NEW SEWER SERVICES

<u>Items to Check</u>	Yes	No
Have you had your new service spotted?	_____	_____
Have you checked the depth of the main sewer?	_____	_____
Have you installed your service to the property line?	_____	_____
Have you installed a cleanout on the end of your service?	_____	_____
Are you at least 10' away from your driveway?	_____	_____
Is the service line the same diameter as the tap size you paid for?	_____	_____
Is your service material ASTM 3034 or schedule 40 PVC?	_____	_____
Have you notified the Wastewater Division at (803) 268-4504 that your service line is ready for connection?	_____	_____

If you think that you are ready for the Wastewater Division to come out to your location and make your wastewater tap, please go over this checklist to make sure. Little things like this will enable us to serve you better. Please call (803) 268-4504 and let us know that your service is ready for connection or if you have any questions.

Thank you for your cooperation!